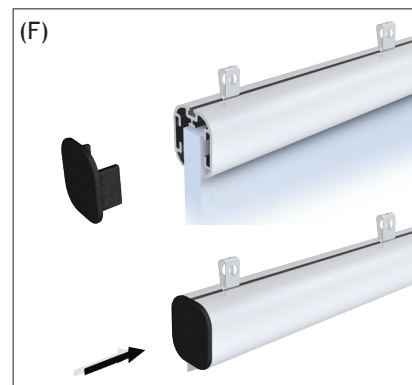
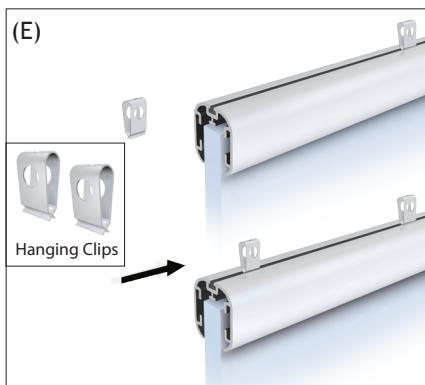
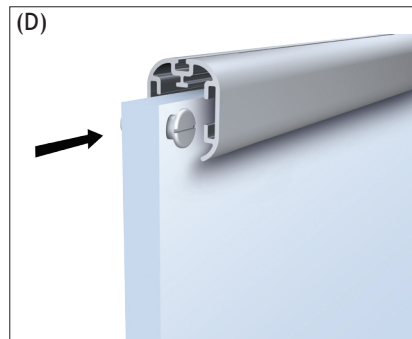
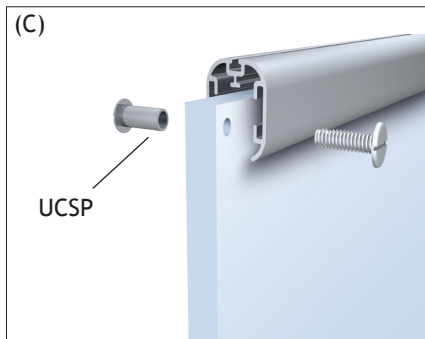
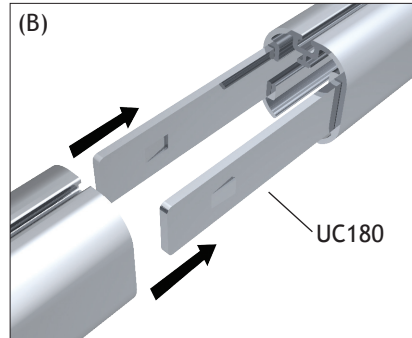
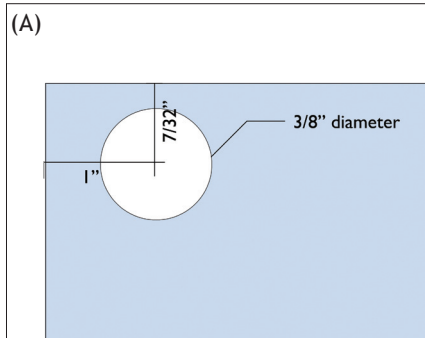


# Gripper Bars (Screw Post)

1. Drill hole in graphic according to specs below (fig. A).
2. *Optional:* Join the two SnapGraphic/EasyGraphic casings together using the steel brackets provided (fig. B).
3. Mount screw post inside graphic (fig. C).
4. Slide graphic into aluminum shroud (fig. D).
5. If hanging from ceiling, slide universal clips into aluminum shroud channel (fig. E) and finish with endcaps (fig. F).



## Applicable Products:

- UCSP with SN (SnapGraphic)
- UCSP with EA (EasyGraphic)

